

APOLLO

FILTERS STRAINERS

Typical Applications

- Ultrasonic Meter Installations
- Turbine Meter Installations
- Rotary Meter Installations
- "In-Plant" Filtration Systems
- City Gate Stations
- Regulator Stations
- Large Commercial Services
- Transmission and Distribution Systems

GFR Mini

Available in Flange or NPT

2" 175 PSI MAOP

FABRICATED STEEL NATURAL GAS FILTER

- **Reliable**
- **Lightweight**
- **Economical**



1/2" NPT VENT
RMS-32 FINISH ON FLANGE & BOND



- **Easy Maintenance**
- **Dry Gas Filters**
- **Designed and Fabricated to ASME standards in Certified Fabrication Shop**



KGM
10934 E 55 Place
Tulsa, OK 74146
918-794-9494

www.kgmgas.com



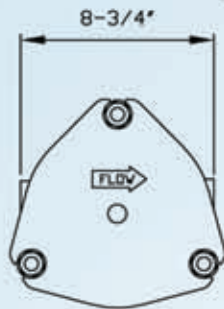
APOLLO

FILTERS STRAINERS

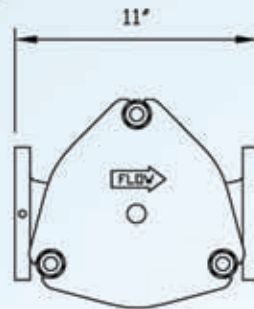
GFR Series Filters

2" 175 PSI FLAT-FACED or NPT

FABRICATED STEEL NATURAL GAS FILTER

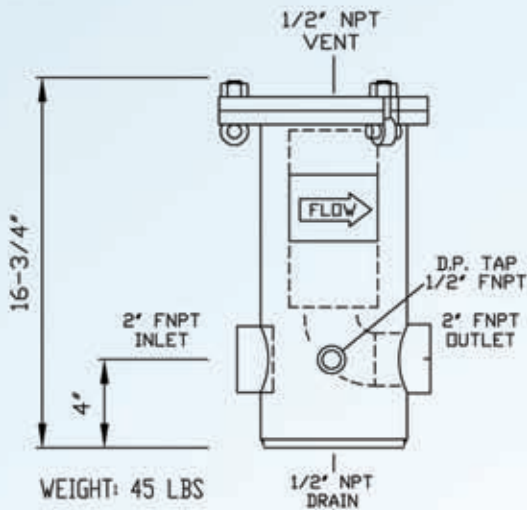


PLAN



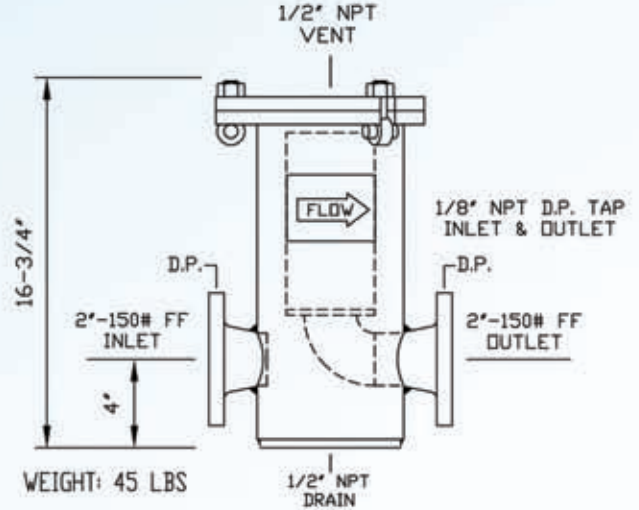
PLAN

REPLACEMENT PARTS
 TOP GASKET: P/N 030-10-002865
 ELEMENT: P/N 010-10-070408



WEIGHT: 45 LBS

TYPICAL ELEVATION
 MODEL GFR-02-NPT GAS FILTER



WEIGHT: 45 LBS

TYPICAL ELEVATION
 MODEL GFR-02-FF GAS FILTER

DESIGN PRESSURE: 175 PSIG @ 130 °F

