

Style 220 Reinforcing Sleeve



For permanent repair of leaking coupled joints

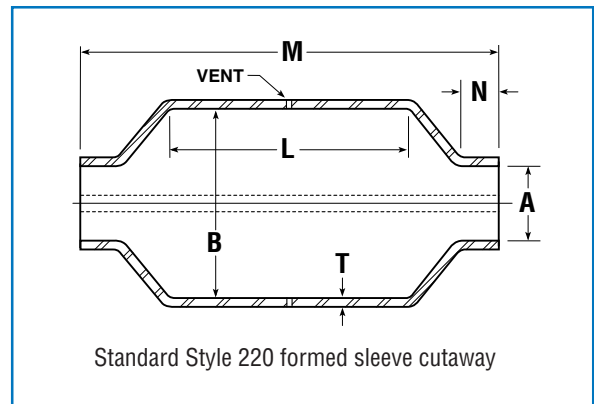
Materials of Construction

Body: High strength, low carbon steel meeting ASTM A572 GR 50/ ASTM A588

Similar in design to the Style 110, **Dresser® Style 220 Reinforcing Sleeves** encompass a “pumpkin” sleeve design and are commonly used to repair corrosion pits and stress cracks and offer a permanent repair over leaking couplings, flanges, valves or screw collars. The Style 220 also provides a means of being “double sure” of safety against pipe-end pullout when used to reinforce pipelines on high pressure piping systems.

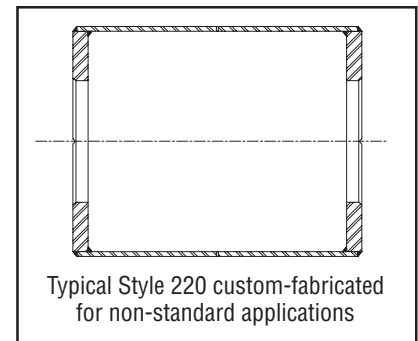
The steel construction properties of the Style 220 sleeve lends itself to field welding without preheating, using ordinary field welding procedures. All sleeves are factory prepared with standard welding bevel, machine flame cut for uniformity and ease of welding, and come with a drilled vent hole to preclude pressure build up between sleeve and pipe.

Built to rigid Dresser specifications, Style 220 sleeves have a minimum yield strength of 50,000 psi and an ultimate strength of 70,000 psi. Style 220 sleeves are supplied in all sizes, lengths and thicknesses as shown in charts. Larger sizes and lengths available upon request.



Style 220 Reinforcing Sleeve Sizes and Specifications for 2” thru 26”

Nom. Pipe Size	ID “A” & Pipe OD	Inside Diam. “B”	Inside Length “L”	Outlet Dimen. “N”	Overall Length “M”	Thickness “T”	Approx. Shipping Wt. (lbs.)
2*	2-3/8	8-3/8	10-1/2	1-1/4	23-1/4	5/16	45
3*	3-1/2	9-1/2	10-1/2	1-1/4	23-1/4	5/16	49
4	4-1/2	10-1/2	10	2	20-1/4	5/16	54
6	6-5/8	12-5/8	13-1/2	1-3/8	21-3/4	3/8	96
8	8-5/8	14-5/8	13-1/3	1-3/8	21-3/4	3/8	112
10	10-3/4	16-3/4	13-1/2	1-3/8	21-3/4	3/8	128
10	10-3/4	16-3/4	13-1/2	1-3/8	21-3/4	1/2	175
12	12-3/4	18-3/4	13-1/2	1-3/8	21-3/4	3/8	150
12	12-3/4	18-3/4	13-1/2	1-3/8	21-3/4	1/2	198
14	14	20	13-1/2	1-3/8	21-3/4	3/8	160
14	14	20	13-1/2	1-3/8	21-3/4	1/2	215
16	16	22	13-1/2	1-3/8	21-3/4	3/8	176
16	16	22	13-1/2	1-3/8	21-3/4	1/2	240
18	18	24	13-1/2	1-3/8	21-3/4	3/8	195
18	18	24	13-1/2	1-3/8	21-3/4	1/2	260
20	20	26	13-1/2	1-3/8	21-3/4	3/8	216
20	20	26	13-1/2	1-3/8	21-3/4	1/2	288
22	22	28	13-1/2	1-3/8	21-3/4	3/8	230
22	22	28	13-1/2	1-3/8	21-3/4	1/2	307
24	24	30	13-1/2	1-3/8	21-3/4	3/8	248
24	24	30	13-1/2	1-3/8	21-3/4	1/2	330
26	26	32	13-1/2	1-3/8	21-3/4	3/8	315
26	26	32	13-1/2	1-3/8	21-3/4	1/2	350



Style 220 Pressure Ratings

See chart on page 19

**Yield Strength
50,000 PSI Min.**

**Temperature Ratings
-20° to +150°F**

NOTE: Larger diameters available upon request. Please consult factory with your particular application requirements.

* 2" and 3" sizes have minimum yield strength of 35,000 psi.

Style 220 Reinforcing Sleeve Pressure Ratings



PRODUCT	PRESSURE RATING (MAXIMUM OPERATING PRESSURE)				
Style 220	Pipe Size	Class 1	Class 2	Class 3	Class 4
	x Wall Thickness				
<p>NOTE: Style 220 design for Gas pressure for each class location has been determined using the formula shown in D.O.T. Regulation 192, Section 192.105, assuming an 80% joint factor for the longitudinal field weld.</p> <p>For Oil applications refer to Class 1 Ratings as per D.O.T. Regulation 195.</p>	2-3/8" O.D. x 5/16" Wall	1200 G	1000 G	825 G	650 G
	3-1/2" O.D. x 5/16" Wall	1000 G	875 G	725 G	575 G
	4-1/2" O.D. x 5/16" Wall	1615 G	1345 G	1120 G	895 G
	6-5/8" O.D. x 3/8" Wall	1610 G	1345 G	1120 G	895 G
	8-5/8" O.D. x 3/8" Wall	1400 G	1170 G	975 G	780 G
	10-3/4" O.D. x 1/4" Wall	830 G	695 G	580 G	460 G
	10-3/4" O.D. x 3/8" Wall	1230 G	1025 G	855 G	685 G
	10-3/4" O.D. x 1/2" Wall	1620 G	1350 G	1125 G	900 G
	12-3/4" O.D. x 3/8" Wall	1105 G	920 G	765 G	615 G
	12-3/4" O.D. x 1/2" Wall	1455 G	1215 G	1010 G	810 G
	14" O.D. x 3/8" Wall	1040 G	865 G	720 G	575 G
	14" O.D. x 1/2" Wall	1370 G	1140 G	950 G	760 G
	16" O.D. x 3/8" Wall	945 G	790 G	655 G	525 G
	16" O.D. x 1/2" Wall	1250 G	1040 G	870 G	695 G
	18" O.D. x 3/8" Wall	870 G	725 G	605 G	480 G
	18" O.D. x 1/2" Wall	1150 G	960 G	800 G	640 G
	20" O.D. x 3/8" Wall	805 G	670 G	560 G	445 G
	20" O.D. x 1/2" Wall	1065 G	885 G	740 G	590 G
	22" O.D. x 3/8" Wall	750 G	625 G	520 G	415 G
	22" O.D. x 1/2" Wall	990 G	825 G	690 G	550 G
24" O.D. x 3/8" Wall	700 G	585 G	485 G	390 G	
24" O.D. x 1/2" Wall	925 G	770 G	645 G	515 G	
26" O.D. x 3/8" Wall	655 G	545 G	455 G	365 G	
26" O.D. x 1/2" Wall	870 G	725 G	605 G	480 G	



Style 220-S Reinforcing Sleeve

The Dresser® Style 220-S is a weld-over sleeve for reinforcing threaded collars, welded joints or compression couplings on small diameter pipe from 3/4" I.D. through 2" I.D. sizes. The sleeves are made to rigid Dresser specifications meeting ASTM-A513, GR1015 specs, and have a yield strength of 35,000 PSI, and an ultimate strength of 48,000 PSI.

Style 220-S sleeves are furnished in matched halves and all longitudinal edges are factory bevelled for welding. A drilled vent hole precludes pressure buildup between sleeve and pipe during welding. Style 220-S sleeves are rated at 350 psi working pressure and meet the requirements applicable to DOT #192 codes.

Pipe Size (O.D.)	Nom. Size	Diameter (A)
1.050	3/4"	1-1/8"
1.315	1"	1-3/8"
1.660	1-1/4"	1-3/4"
1.990	1-1/2"	2"
2.375	2"	2-7/16"

