

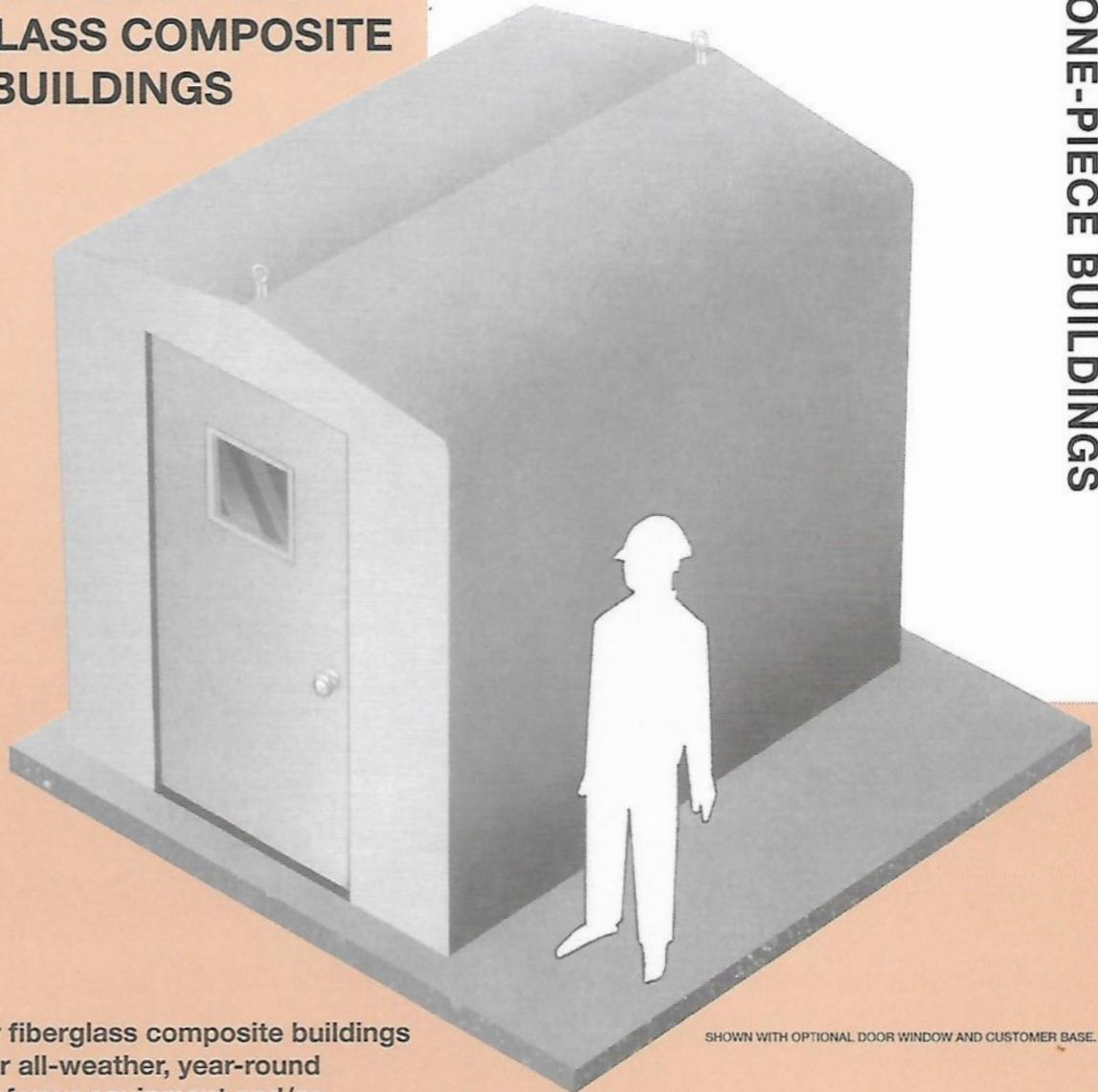


ENGINEERED FIBERGLASS COMPOSITES INC.



MOLDED ONE-PIECE BUILDINGS

**ALL WEATHER
MOLDED ONE-PIECE
FIBERGLASS COMPOSITE
BUILDINGS**



SHOWN WITH OPTIONAL DOOR WINDOW AND CUSTOMER BASE.

High quality fiberglass composite buildings designed for all-weather, year-round protection of your equipment and/or instrumentation.

Corrosion resistant materials of construction for long life.

Molded one-piece construction for high strength and low cost.

Virtually maintenance free.

Insulated to reduce heating/cooling costs.

Light weight for easy installation.

Numerous sizes and optional equipment items are available to meet your requirements.

Fast delivery on many sizes.

APPLICATIONS

EFC all-weather, molded one-piece fiberglass reinforced polyester buildings are well suited to house and protect equipment for a wide variety of applications such as:

- Chlorination and dechlorination systems
- Chemical and polymer feed systems
- Analyzer equipment
- Sampling equipment
- Pollution monitoring equipment
- Electronic and communications equipment
- Marine and fire fighting equipment
- Pumps, motors and generators

CONSTRUCTION

EFC all-weather, molded one-piece fiberglass reinforced polyester buildings are fabricated of composite construction consisting of:

Smooth white U.V. resistant gelcoat finish (15-20 mil thick) on exterior surface.

Minimum 1/8" thick fiberglass reinforced polyester laminate (minimum 30% glass content by weight) on exterior surface.

1" thick polyisocyanurate rigid foam insulation, closed cell type, 2.0#/cu. ft. density, having an R-value of 6.0.

Minimum 1/16" thick fiberglass reinforced polyester laminate (minimum 30% glass content by weight) on interior surface.

White U.V. resistant gelcoat finish (15-20 mil thick) on interior surface.

CHARACTERISTICS

EFC all-weather, molded one-piece fiberglass reinforced polyester buildings have the following characteristics:

- | | |
|----------------------------------|-------------------|
| Insulated composite construction | Economical |
| Corrosion resistant | Rugged |
| U.V. resistant | Light weight |
| Virtually maintenance free | Easy installation |

STANDARD FEATURES/EQUIPMENT

Peaked roof with two (2) cadmium plated lifting eyes.
Single door (for models #EFC-72x___-1 and EFC-54x___-1), insulated composite construction, flush-fitting, 36" wide X 78" high (O.I.C.) see door construction/hardware.

Double doors (for model #EFC-72x___-2), insulated composite construction, flush-fitting, 63" wide X 78" high (O.I.C.) - see door construction/hardware.

White color molded-in (painting not required).
Insulated with 1" thick polyisocyanurate rigid foam.
Internal 4" wide X 1/4" thick integral fiberglass base mounting flange, predrilled for 1/2" diameter anchor bolts.

Closed cell neoprene rubber base mounting gasket.
Designed to withstand 120 MPH wind load and 30 PSF snow load.

DOOR CONSTRUCTION/HARDWARE

Door is fabricated of molded one-piece composite construction (similar to walls and roof) with 1 1/2" thick, polyisocyanurate foam insulation.

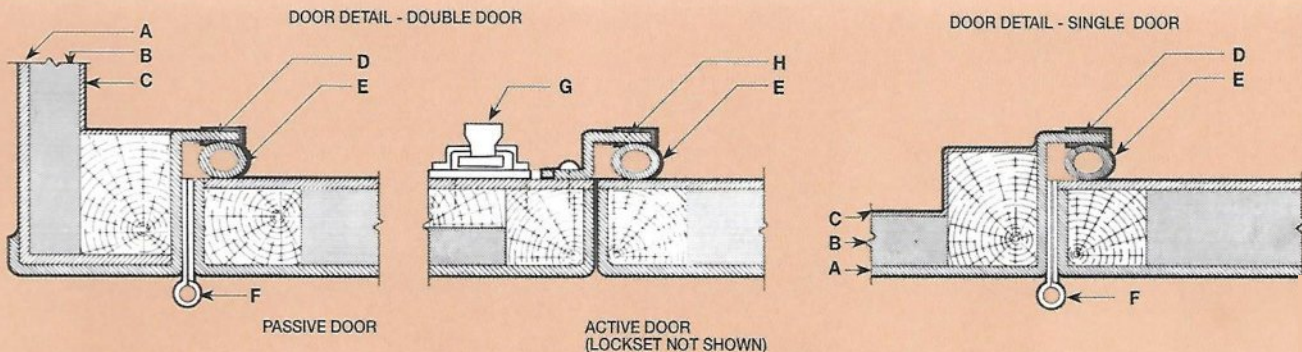
Standard single door (for models #EFC-72x___-1 and EFC-54x___-1) is 36" wide X 78" high (O.I.C.).

Standard set of double doors (for model #EFC-72x___-2) are 63" wide X 78" high (O.I.C.).

Door frame is integrally molded within front wall.

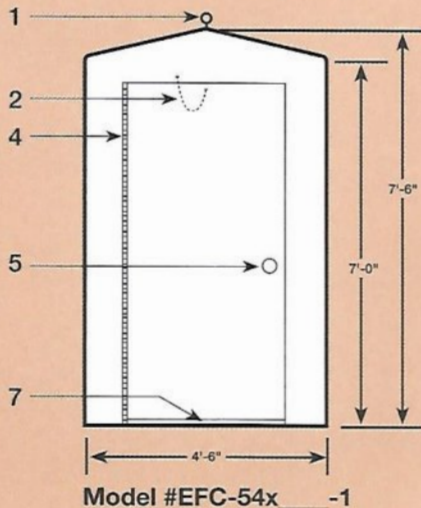
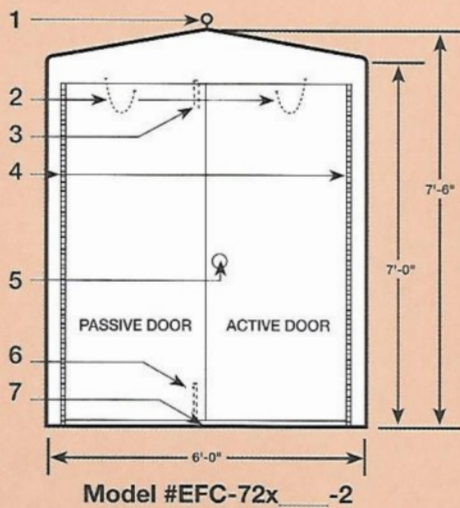
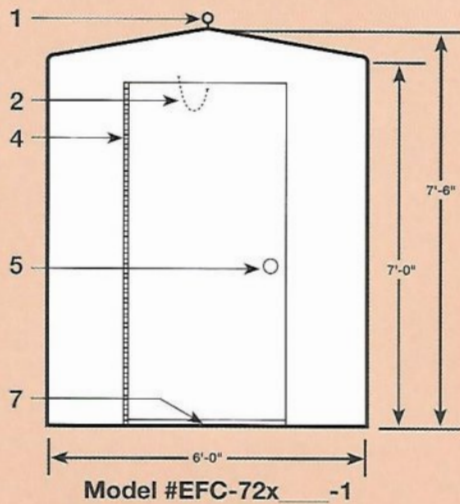
Standard door hardware consists of:

- Continuous stainless steel piano hinge
- Plated safety stop (crash) chain
- Stainless steel cylindrical lockset
- Plated surface bolts, 8" long (for model #EFC-72x___-2)
- Stainless steel astragal (for model #EFC-72x___-2)
- Neoprene sponge rubber gasket (weather-stripping)
- Neoprene rubber base wiper gasket
- Non-corrosive fasteners



LEGEND

- | | |
|--|---|
| A. EXTERIOR FRP LAMINATE WITH GELCOAT FINISH, MIN. 1/8" THICK. | E. NEOPRENE SPONGE RUBBER GASKET (WEATHER-STRIPPING). |
| B. 1" THICK POLYISOCYANURATE FOAM INSULATION IN WALLS & CEILING. | F. CONTINUOUS STAINLESS STEEL PIANO HINGE. |
| C. INTERIOR FRP LAMINATE WITH GELCOAT FINISH, MIN. 1/16" THICK. | G. PLATED SURFACE BOLT (8" LONG) FOR PASSIVE DOOR. |
| D. INTEGRAL FRP DOOR FRAME. | H. ST. ST. ASTRAGAL (Z-BAR STYLE) FOR PASSIVE DOOR. |

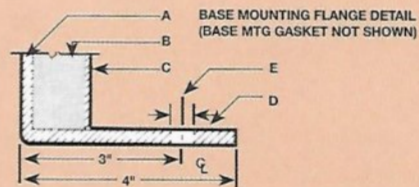


- LEGEND**
- CADMIUM PLATED LIFTING EYE - TWO (2) PROVIDED.
 - PLATED SAFETY STOP CHAIN.
 - PLATED SURFACE BOLT FOR PASSIVE DOOR.
 - CONTINUOUS STAINLESS STEEL PIANO HINGE.
 - STAINLESS STEEL CYLINDRICAL LOCKSET.
 - PLATED SURFACE BOLT FOR PASSIVE DOOR.
 - NEOPRENE RUBBER BASE WIPER GASKET.

STANDARD SIZES AND WEIGHTS		Basic Weight	Shipping Weight
Model #	Wide x Deep x High	(lbs.)	(lbs.)
EFC-72x24-1	6'-0" x 2'-0" x 7'-6"	305	365
EFC-72x36-1	6'-0" x 3'-0" x 7'-6"	355	420
EFC-72x48-1	6'-0" x 4'-0" x 7'-6"	400	475
EFC-72x60-1	6'-0" x 5'-0" x 7'-6"	450	530
EFC-72x72-1	6'-0" x 6'-0" x 7'-6"	500	585
EFC-72x84-1	6'-0" x 7'-0" x 7'-6"	560	650
EFC-72x96-1	6'-0" x 8'-0" x 7'-6"	610	705
EFC-72x108-1	6'-0" x 9'-0" x 7'-6"	660	760
EFC-72x120-1	6'-0" x 10'-0" x 7'-6"	705	810
EFC-72x24-2	6'-0" x 2'-0" x 7'-6"	335	395
EFC-72x36-2	6'-0" x 3'-0" x 7'-6"	385	450
EFC-72x48-2	6'-0" x 4'-0" x 7'-6"	430	505
EFC-72x60-2	6'-0" x 5'-0" x 7'-6"	480	560
EFC-72x72-2	6'-0" x 6'-0" x 7'-6"	530	615
EFC-72x84-2	6'-0" x 7'-0" x 7'-6"	590	680
EFC-72x96-2	6'-0" x 8'-0" x 7'-6"	640	735
EFC-72x108-2	6'-0" x 9'-0" x 7'-6"	690	790
EFC-72x120-2	6'-0" x 10'-0" x 7'-6"	735	840
EFC-54x24-1	4'-6" x 2'-0" x 7'-6"	250	310
EFC-54x36-1	4'-6" x 3'-0" x 7'-6"	295	360
EFC-54x48-1	4'-6" x 4'-0" x 7'-6"	340	415
EFC-54x60-1	4'-6" x 5'-0" x 7'-6"	390	470
EFC-54x72-1	4'-6" x 6'-0" x 7'-6"	435	520

Notes:

- Above sizes are overall exterior dimensions.
- Depth dimension is available in nonstandard sizes.
- Standard overall wall thickness is 1 1/4".
- Standard eave height is 7'-0".



LEGEND

- EXTERIOR FRP LAMINATE WITH GELCOAT FINISH, MIN. 1/8" THICK.
- 1" THICK POLYISOCYANURATE FOAM INSULATION IN WALLS & CEILING.
- INTERIOR FRP LAMINATE WITH GELCOAT FINISH, MIN. 1/16" THICK.
- 4" WIDE X 1/4" THICK INTEGRAL FRP BASE MOUNTING FLANGE.
- 9/16" DIAMETER PREDRILLED HOLE FOR ANCHOR BOLT.

ORDERING INFORMATION

When ordering please provide the following information:

- Model # and size of building.
- Color of building.
- Door swing (for models #EFC-72x__-1 and EFC-54x__-1).
- Active/passive door position (for model #EFC-72x__-2).

Optional equipment items - please furnish drawing detailing locations.

If your building was quoted direct by EFC please advise quotation number. This will greatly reduce the amount of information required during order placement.

OPTIONAL EQUIPMENT

- Color other than standard white on exterior
- Increased insulation thickness (up to 2")
- Flame resistant construction
- Insulated fiberglass floor
- Wall partition
- Additional doors
- Panic hardware (replaces standard lockset)
- Door closer (replaces standard stop chain)
- Door window (12" x 12" lexan is standard)
- Fixed or sliding wall windows
- Lighting - incandescent or fluorescent & HPS, etc.
- Exhaust fan (CFM as required) with shutter and a fiberglass canopy with insect screen
- Air intake vent (size as required) – manually adjustable, automatic or motorized, with a fiberglass canopy with insect screen
- Control switches:
 - Toggle switch – interior or exterior
 - Door activated micro (limit) switch
 - Remote thermostat
- Heater with built-in thermostat (wattage as required)
- Air conditioner (BTU's as required)
- Duplex outlet receptacle - interior or exterior
- Circuit breaker load center with branch breakers (amps, type, size, etc., as required)
- Wiring in rigid schedule 40 PVC conduit (or as required)
- Fiberglass shelving
- Mounting channel
- Reinforcement in wall or ceiling
- Cut-out opening in wall or ceiling
- Stainless steel lifting eyes
- Stainless steel anchor bolts
- Explosion proof electrical equipment
- Other equipment as required
- See drawing #EFC-

SAMPLE SPECIFICATIONS

A molded one-piece fiberglass building shall be supplied and installed to house the _____ as shown on the specification drawings.

The building size shall be _____ wide X _____ deep X 7'-6" high overall 7'-0" high at eaves. Roof to be peaked and be provided with two cadmium plated lifting eyes.

Building shall be of fiberglass composite construction. Exterior surface shall have a smooth white U.V. resistant gelcoat finish. Overall fiberglass laminate for exterior surface to be a minimum of 1/8" thick. Building shall be insulated with 1" thick polyisocyanurate rigid foam having an R-value of 6.0.

Building shall include a 36" wide X 78" high flush-fitting single door (or 63" wide x 78" high set of double doors - for model #EFC-72x____-2 only). Door(s) to be of fiberglass composite construction, be mounted within an integral fiberglass frame, be provided with neoprene gasket (weather-stripping) and non-corrosive hardware - see door construction/hardware.

Building shall be supplied with an integral fiberglass base mounting flange, 4" wide X 1/4" thick, integral with walls, predrilled for 1/2" diameter anchor bolts (anchor bolts to be supplied and installed by contractor). Closed cell neoprene rubber base mounting gasket shall be furnished to seal building to foundation.

Optional equipment to include:

Building shall be model #EFC-____ x ____ as manufactured by Engineered Fiberglass Composites Inc., New Lisbon, WI.

EFC
ENGINEERED FIBERGLASS COMPOSITES INC.

FIBERGLASS REINFORCED POLYESTER PARSHALL FLUMES

PARSHALL FLUMES

PALMER-BOWLING FLUMES

MOLDED ONE-PIECE BUILDINGS

MODULAR BUILDINGS

High quality Parshall Flumes designed for use in the mining or hydraulic power plants.

Construction materials selected for long life.

Modeling and proper construction with tapered stiffening ribs for high strength and light weight.

Smooth gelcoat finish on interior surface to reduce friction and provide build up.

Light weight for other materials not recommended for ease of installation.

Dimensions & capacities are per those contained in the Flow Measurement Manual Second Edition.

Flumes are optional equipment items and available for use with flow meter. Stock available from 1" through 48". Fast delivery on stock items.

CONTACT EFC FOR OTHER PRODUCT LITERATURE



ENGINEERED FIBERGLASS COMPOSITES INC.
 301 BICKFORD STREET
 NEW LISBON, WISCONSIN 53950-1524
 608-562-5900 FAX 608-562-5909

WEBSITE: www.engineeredfiberglass.com
 EMAIL: efcinc@mwt.net